



Electrosteel USA

09
EDITION



Compact MJ Fittings

ANSI/AWWA C153/A21.53

www.ElectrosteelUSA.com



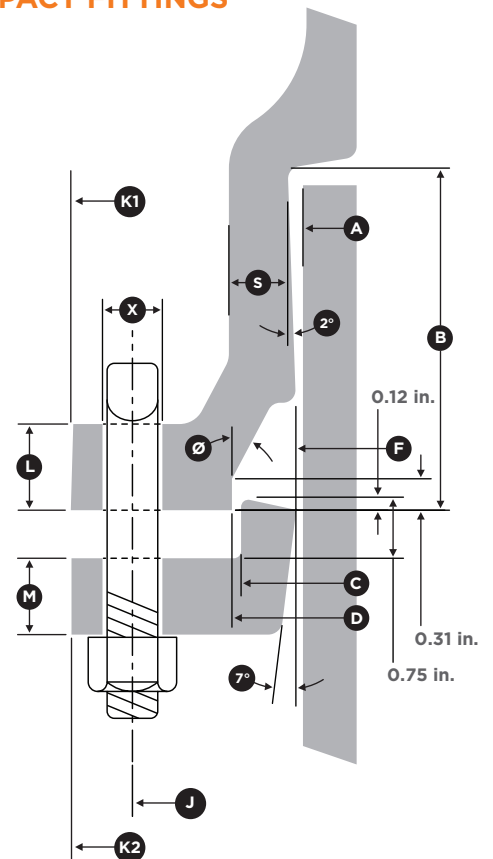


Compact MJ Fittings ANSI/AWWA C153/A21.53

3" - 24" DUCTILE IRON MECHANICAL JOINT COMPACT FITTINGS

GENERAL SPECIFICATIONS

- Material:** ASTM A536 specified ductile iron
- Pressure:** 3" - 24" diameter rated at 350PSI
- Testing:** Strictly adheres to ANSI/AWWA C153/A21.53 and UL requirements
- Laying Length:** Maintains ANSI/AWWA C153/A21.53 requirements
- Weights:** In pounds, unless otherwise noted, does not include accessories, coatings or linings
- Flanges:** All flanges adhere to ANSI/ASSA C115/A21.15 and ANSI B16.1 class 125 flanges
- Cement Lining:** Conforms to ANSI/AWWA C104/A21.4 – size 3" - 24" single thickness
- Coating:** Asphaltic coating inside and out conforms to ANSI/AWWA C104/A21.4
- Gaskets:** Produced to ANSI/AWWA C111/A21.11 standards
- T-Bolts/Nuts:** Low alloy steel conforming to ANSI/AWWA C111/A21.11 requirements
- Approvals:** Diameters 3" - 12": Underwriters Laboratories Listed and UL, Diameters 4" and greater: UL/NSF-61
- Dimensions:** Unless otherwise noted, all dimensions in inches



Mechanical Joint Dimensions

NOM SIZE	A DIA.	B	C DIA.	D DIA.	F DIA.	J DIA.	K1 DIA.	K2 DIA.	L	M	S	Ø	X DIA.	BOLTS	
														SIZE	NO.
3	3.96	2.50	4.84	4.94	4.06	6.91	7.62	7.69	0.58	0.62	0.39	28°	3/4	5/8 x 3	4
4	4.80	2.50	5.92	6.02	4.90	7.50	9.06	9.12	0.60	0.75	0.39	28°	7/8	3/4 x 3 1/2	4
6	6.90	2.50	8.02	8.12	7.00	9.50	11.06	11.12	0.63	0.88	0.43	28°	7/8	3/4 x 3 1/2	6
8	9.05	2.50	10.17	10.27	9.15	11.75	13.31	13.37	0.66	1.00	0.45	28°	7/8	3/4 x 3 1/2	6
10	11.10	2.50	12.22	12.34	11.20	14.00	15.62	15.62	0.70	1.00	0.47	28°	7/8	3/4 x 3 1/2	8
12	13.20	2.50	14.32	14.44	13.30	16.25	17.88	17.88	0.73	1.00	0.49	28°	7/8	3/4 x 3 1/2	8
14	15.30	3.50	16.40	16.54	15.44	18.75	20.25	20.25	0.79	1.25	0.55	28°	7/8	3/4 x 4	10
16	17.40	3.50	18.50	18.64	17.54	21.00	22.50	22.50	0.85	1.31	0.58	28°	7/8	3/4 x 4	12
18	19.50	3.50	20.60	20.74	19.64	23.25	24.83	24.75	1.00	1.38	0.68	28°	7/8	3/4 x 4	12
20	21.60	3.50	22.70	22.84	21.74	25.50	27.08	27.00	1.02	1.44	0.69	28°	7/8	3/4 x 4	14
24	25.80	3.50	26.90	27.04	25.94	30.00	31.58	31.50	1.02	1.56	0.75	28°	7/8	3/4 x 4 1/2	16





Electrosteel USA



Compact MJ Fittings

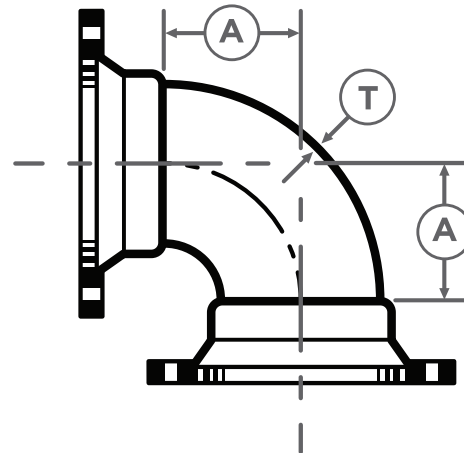
ANSI/AWWA C153/A21.53

3" - 24" DUCTILE IRON MECHANICAL JOINT COMPACT FITTINGS

90°
BEND

MJ x MJ Bend | 90° (1/4)

NOM SIZE	T	A MIN	WT (LBS.)
3	0.33	3.50	15.00
4	0.34	4.00	21.10
6	0.36	5.00	36.40
8	0.38	6.50	57.30
10	0.40	7.50	78.00
12	0.42	9.00	111.30
14	0.47	11.50	210.00
16	0.50	12.50	264.00
18	0.54	14.00	335.00
20	0.57	15.00	400.00
24	0.61	16.75	565.00





Electrosteel USA



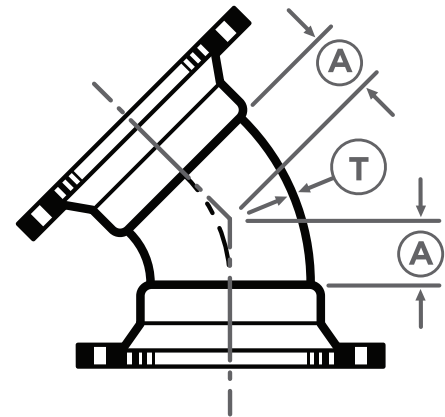
Compact MJ Fittings ANSI/AWWA C153/A21.53

3" - 24" DUCTILE IRON MECHANICAL JOINT COMPACT FITTINGS

**45°
BEND**

MJ x MJ Bend | 45° (1/8)

NOM SIZE	T	A MIN	WT (LBS.)
3	0.33	1.50	11.70
4	0.34	2.00	17.90
6	0.36	3.00	35.90
8	0.38	3.50	44.30
10	0.40	4.50	68.30
12	0.42	5.50	93.70
14	0.47	5.00	160.00
16	0.50	5.50	202.00
18	0.54	6.00	250.00
20	0.57	7.00	305.00
24	0.61	7.50	405.00





Electrosteel USA



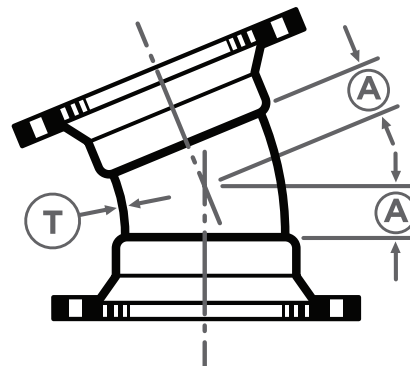
Compact MJ Fittings ANSI/AWWA C153/A21.53

3" - 24" DUCTILE IRON MECHANICAL JOINT COMPACT FITTINGS

**22.5°
BEND**

MJ x MJ Bend | 22.5° (1/16)

NOM SIZE	T	A MIN	WT (LBS.)
3	0.33	1.00	11.70
4	0.34	1.50	17.00
6	0.36	2.00	31.80
8	0.38	2.50	40.00
10	0.40	3.00	58.00
12	0.42	3.50	76.90
14	0.47	3.75	136.00
16	0.50	3.75	172.00
18	0.54	4.50	255.00
20	0.57	4.50	310.00
24	0.61	4.50	412.00





Electrosteel USA



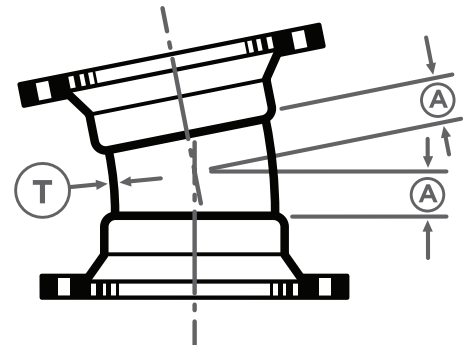
Compact MJ Fittings ANSI/AWWA C153/A21.53

3" - 24" DUCTILE IRON MECHANICAL JOINT COMPACT FITTINGS

**11.25°
BEND**

MJ x MJ Bend | 11.25° (1/32)

NOM SIZE	T	A MIN	WT (LBS.)
3	0.33	1.00	11.60
4	0.34	1.25	16.30
6	0.36	1.50	28.00
8	0.38	1.75	36.40
10	0.40	2.00	51.40
12	0.42	2.25	67.70
14	0.47	2.50	93.00
16	0.50	2.50	148.00
18	0.54	3.00	205.00
20	0.57	3.00	245.00
24	0.61	3.00	315.00





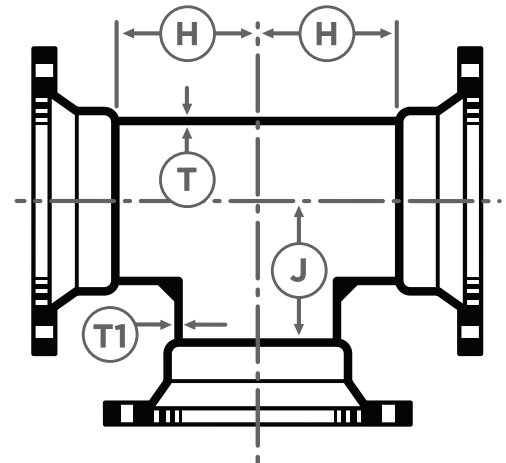
Compact MJ Fittings ANSI/AWWA C153/A21.53

3" - 24" DUCTILE IRON MECHANICAL JOINT COMPACT FITTINGS

TEE
PG. 1

MJ x MJ | TEE

NOM SIZE	T	T1	H MIN	J MIN	WT (LBS.)
3 x 3	0.33	0.33	3.00	3.00	20.30
4 x 3	0.34	0.33	3.50	4.00	30.00
4 x 4	0.34	0.34	4.00	4.00	31.30
6 x 3	0.36	0.33	3.50	5.00	42.00
6 x 4	0.36	0.34	4.00	5.00	46.00
6 x 6	0.36	0.36	5.00	5.00	52.30
8 x 4	0.38	0.34	4.00	6.50	60.00
8 x 6	0.38	0.36	5.00	6.50	72.00
8 x 8	0.38	0.38	6.50	6.50	88.20
10 x 4	0.40	0.34	4.00	7.50	78.00
10 x 6	0.40	0.36	5.00	7.50	90.00
10 x 8	0.40	0.38	6.50	7.50	105.00
10 x 10	0.40	0.40	7.50	7.50	111.60
12 x 4	0.42	0.34	4.00	8.75	94.00
12 x 6	0.42	0.36	5.00	8.75	110.00
12 x 8	0.42	0.38	6.50	8.75	125.00
12 x 10	0.42	0.40	7.50	8.75	140.00
12 x 12	0.42	0.42	8.75	8.75	164.20
14 x 4	0.47	0.34	5.50	10.50	172.00
14 x 6	0.47	0.36	6.50	10.50	182.00
14 x 8	0.47	0.38	7.50	10.50	206.00
14 x 10	0.47	0.40	8.50	10.50	228.00
14 x 12	0.47	0.42	9.50	10.50	234.00
14 x 14	0.47	0.47	10.50	10.50	280.00
16 x 6	0.50	0.36	6.50	11.50	228.00
16 x 8	0.50	0.38	7.50	11.50	248.00





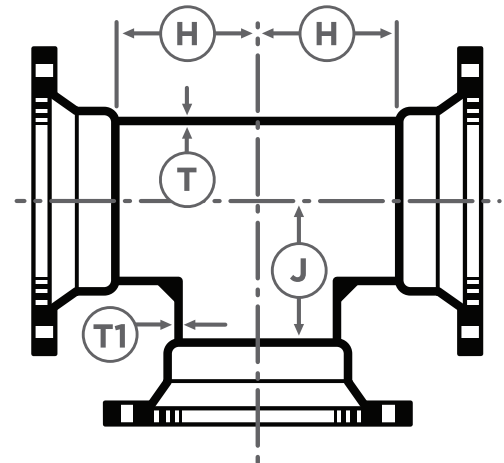
Compact MJ Fittings ANSI/AWWA C153/A21.53

3" - 24" DUCTILE IRON MECHANICAL JOINT COMPACT FITTINGS

TEE
PG. 2

MJ x MJ | TEE

NOM SIZE	T	T1	H MIN	J MIN	WT (LBS.)
16 x 10	0.50	0.40	8.50	11.50	264.00
16 x 12	0.50	0.42	9.50	11.50	280.00
16 x 14	0.50	0.47	10.50	11.50	316.00
16 x 16	0.50	0.50	11.50	11.50	322.00
18 x 6	0.54	0.36	6.50	12.50	275.00
18 x 8	0.54	0.38	7.50	12.50	295.00
18 x 10	0.54	0.40	8.50	12.50	315.00
18 x 12	0.54	0.42	9.50	12.50	335.00
18 x 14	0.54	0.47	10.50	12.50	380.00
18 x 16	0.54	0.50	11.50	12.50	405.00
18 x 18	0.54	0.54	12.50	12.50	435.00
20 x 6	0.57	0.36	6.50	14.00	315.00
20 x 8	0.57	0.38	8.00	14.00	345.00
20 x 10	0.57	0.40	9.00	14.00	370.00
20 x 12	0.57	0.42	10.00	14.00	395.00
20 x 14	0.57	0.47	11.00	14.00	440.00
20 x 16	0.57	0.50	12.00	14.00	465.00
20 x 18	0.57	0.54	13.00	14.00	505.00
20 x 20	0.57	0.57	14.00	14.00	535.00
24 x 6	0.61	0.36	7.00	16.00	415.00
24 x 8	0.61	0.38	8.00	16.00	445.00
24 x 10	0.61	0.40	9.00	16.00	470.00
24 x 12	0.61	0.42	10.00	16.00	500.00
24 x 14	0.61	0.47	11.00	16.00	550.00
24 x 16	0.61	0.50	12.00	16.00	580.00
24 x 18	0.61	0.54	13.00	16.00	625.00
24 x 20	0.61	0.57	14.00	16.00	660.00
24 x 24	0.61	0.61	16.00	16.00	720.00





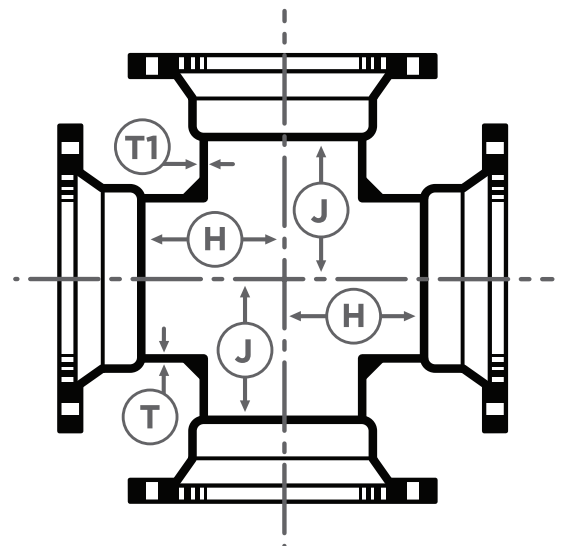
Compact MJ Fittings ANSI/AWWA C153/A21.53

3" - 24" DUCTILE IRON MECHANICAL JOINT COMPACT FITTINGS

CROSS
PG. 1

MJ x MJ | CROSS

NOM SIZE	T	T1	H MIN	J MIN	WT (LBS.)
3 x 3	0.33	0.33	3.00	3.00	26.90
4 x 4	0.34	0.34	4.00	4.00	39.70
6 x 4	0.36	0.34	4.00	5.00	68.00
6 x 6	0.36	0.36	5.00	5.00	65.00
8 x 4	0.38	0.34	4.00	6.00	99.00
8 x 6	0.38	0.36	5.00	6.00	100.00
8 x 8	0.38	0.38	6.00	6.00	103.60
10 x 4	0.40	0.34	4.00	7.00	120.00
10 x 6	0.40	0.36	5.00	7.00	125.00
10 x 8	0.40	0.38	6.50	7.00	130.00
10 x 10	0.40	0.40	7.00	7.00	129.00
12 x 4	0.42	0.34	4.00	8.50	123.00
12 x 6	0.42	0.36	5.00	8.50	142.00
12 x 8	0.42	0.38	6.00	8.50	157.00
12 x 10	0.42	0.40	7.50	8.50	189.00
12 x 12	0.42	0.42	8.50	8.50	178.60
14 x 6	0.47	0.36	6.50	10.50	210.00
14 x 8	0.47	0.38	7.50	10.50	231.00
14 x 10	0.47	0.40	8.50	10.50	255.00
14 x 12	0.47	0.42	9.50	10.50	269.00
14 x 14	0.47	0.47	10.50	10.50	299.00





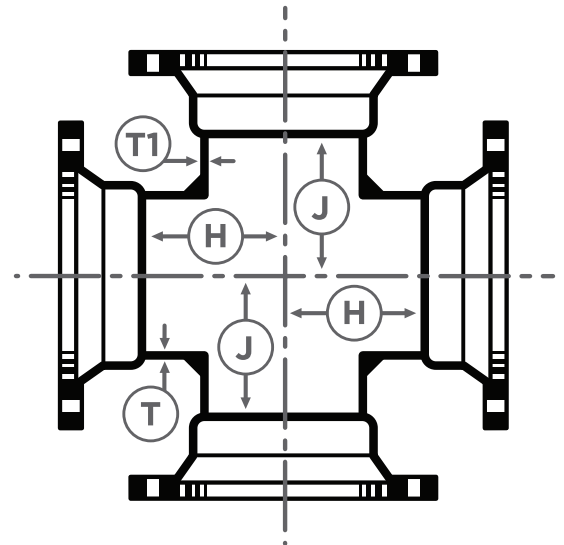
Compact MJ Fittings ANSI/AWWA C153/A21.53

3" - 24" DUCTILE IRON MECHANICAL JOINT COMPACT FITTINGS

CROSS
PG. 2

MJ x MJ | CROSS

NOM SIZE	T	T1	H MIN	J MIN	WT (LBS.)
16 x 6	0.50	0.36	6.50	11.50	250.00
16 x 8	0.50	0.38	7.50	11.50	264.00
16 x 10	0.50	0.40	8.50	11.50	286.00
16 x 12	0.50	0.42	9.50	11.50	310.00
16 x 16	0.50	0.50	11.50	11.50	385.00
18 x 12	0.54	0.42	9.50	12.50	348.00
18 x 18	0.54	0.54	12.50	12.50	478.00
20 x 8	0.57	0.38	8.00	14.00	378.00
20 x 12	0.57	0.42	10.00	14.00	413.00
20 x 18	0.57	0.54	13.00	14.00	554.00
20 x 20	0.57	0.57	14.00	14.00	590.00
24 x 6	0.61	0.36	7.00	16.00	481.00
24 x 8	0.61	0.38	8.00	16.00	500.00
24 x 12	0.61	0.42	10.00	16.00	529.00
24 x 16	0.61	0.50	12.00	16.00	576.00
24 x 18	0.61	0.54	13.00	16.00	868.00
24 x 20	0.61	0.57	14.00	16.00	1015.00
24 x 24	0.61	0.61	17.00	17.00	881.00





Compact MJ Fittings

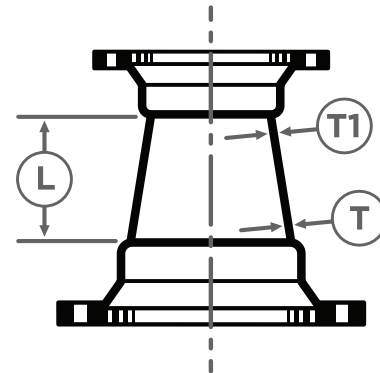
ANSI/AWWA C153/A21.53

3" - 24" DUCTILE IRON MECHANICAL JOINT COMPACT FITTINGS

REDUCER
PG. 1

MJ x MJ | REDUCER

NOM SIZE	T	T1	L MIN	WT (LBS.)
4 x 3	0.34	0.33	3.00	14.80
6 x 3	0.36	0.33	5.00	22.00
6 x 4	0.36	0.34	4.00	23.50
8 x 4	0.38	0.34	5.00	32.00
8 x 6	0.38	0.36	4.00	32.60
10 x 4	0.40	0.34	7.00	46.00
10 x 6	0.40	0.36	5.00	47.00
10 x 8	0.40	0.38	4.00	44.80
12 x 4	0.42	0.34	9.00	58.00
12 x 6	0.42	0.36	7.00	58.00
12 x 8	0.42	0.38	5.00	57.00
12 x 10	0.42	0.40	4.00	54.00
14 x 6	0.47	0.36	9.00	100.00
14 x 8	0.47	0.38	7.00	100.00
14 x 10	0.47	0.40	5.00	100.00
14 x 12	0.47	0.42	4.00	100.00
16 x 6	0.50	0.36	11.00	124.00
16 x 8	0.50	0.38	9.00	124.00





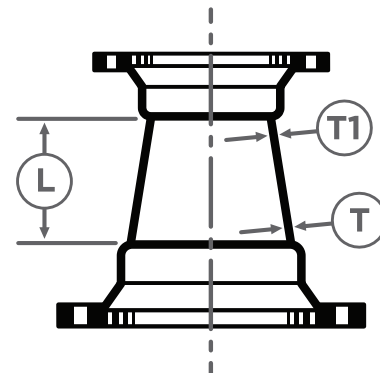
Compact MJ Fittings ANSI/AWWA C153/A21.53

3" - 24" DUCTILE IRON MECHANICAL JOINT COMPACT FITTINGS

REDUCER
PG. 2

MJ x MJ | REDUCER

NOM SIZE	T	T1	L MIN	WT (LBS.)
16 x 10	0.50	0.40	7.00	124.00
16 x 12	0.50	0.42	5.00	112.00
16 x 14	0.50	0.47	4.00	140.00
18 x 8	0.54	0.38	13.00	190.00
18 x 10	0.54	0.40	10.00	195.00
18 x 12	0.54	0.42	7.00	180.00
18 x 14	0.54	0.47	6.00	190.00
18 x 16	0.54	0.50	5.00	195.00
20 x 10	0.57	0.40	14.00	220.00
20 x 12	0.57	0.42	12.00	205.00
20 x 14	0.57	0.47	10.00	200.00
20 x 16	0.57	0.50	7.00	200.00
20 x 18	0.57	0.54	4.00	225.00
24 x 12	0.61	0.42	16.00	305.00
24 x 14	0.61	0.47	14.00	310.00
24 x 16	0.61	0.50	12.00	320.00
24 x 18	0.61	0.54	10.00	305.00
24 x 20	0.61	0.57	7.00	300.00





Electrosteel USA



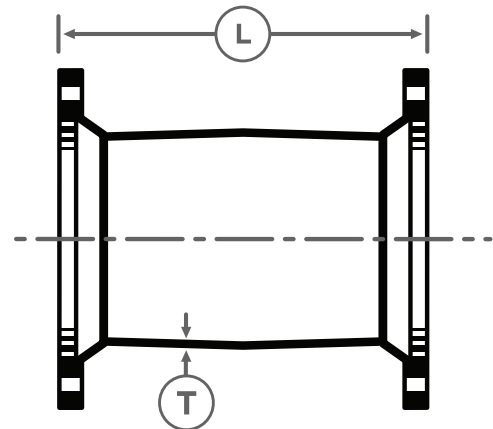
Compact MJ Fittings ANSI/AWWA C153/A21.53

3" - 24" DUCTILE IRON MECHANICAL JOINT COMPACT FITTINGS

**SLEEVE
LONG**

MJ | SLEEVE LONG

NOM SIZE	T	L	WT (LBS.)
3	0.33	12.00	17.20
4	0.34	12.00	22.70
6	0.36	12.00	34.30
8	0.38	12.00	42.80
10	0.40	12.00	60.20
12	0.42	12.00	72.30
14	0.47	15.00	140.00
16	0.50	15.00	170.00
18	0.54	15.00	200.00
20	0.57	15.00	255.00
24	0.61	15.00	335.00





Compact MJ Fittings

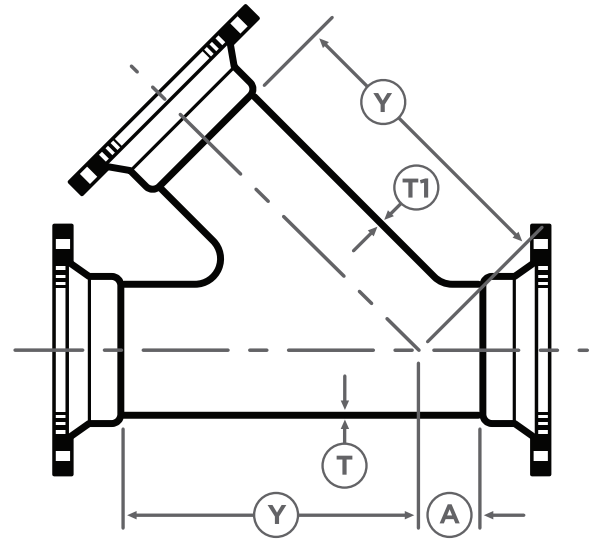
ANSI/AWWA C153/A21.53

3" - 24" DUCTILE IRON MECHANICAL JOINT COMPACT FITTINGS

45°
WYES

MJ | 45° WYES

NOM SIZE	T	T1	A MIN	Y MIN	WT (LBS)
3 x 3	0.33	0.33	2.00	8.50	28.00
4 x 4	0.34	0.34	2.50	9.50	42.10
6 x 4	0.36	0.34	1.50	11.00	67.00
6 x 6	0.36	0.36	3.00	13.00	77.20
8 x 4	0.38	0.34	0.50	13.00	93.00
8 x 6	0.38	0.36	2.00	14.50	113.00
8 x 8	0.38	0.38	3.50	16.00	109.10
10 x 4	0.40	0.34	0.00	15.00	118.00
10 x 6	0.40	0.36	1.00	16.00	136.00
10 x 8	0.40	0.38	2.50	17.00	170.00
10 x 10	0.40	0.40	3.50	19.00	169.80
12 x 4	0.42	0.34	0.00	16.50	150.00
12 x 6	0.42	0.36	1.50	18.50	186.00
12 x 8	0.42	0.38	1.50	18.50	188.00
12 x 10	0.42	0.40	3.00	20.00	223.00
12 x 12	0.42	0.42	4.50	22.50	244.70





Electrosteel USA



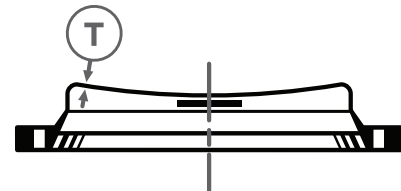
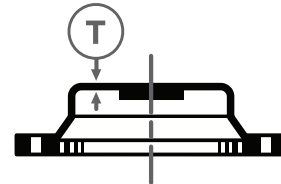
Compact MJ Fittings ANSI/AWWA C153/A21.53

3" - 24" DUCTILE IRON MECHANICAL JOINT COMPACT FITTINGS

CAP

MJ | CAP

NOM SIZE	T	WT (LBS.)
3	0.33	7.10
4	0.34	9.90
6	0.36	16.30
8	0.38	22.50
10	0.40	31.80
12	0.42	44.10
14	0.47	66.00
16	0.50	92.00
18	0.54	114.00
20	0.57	125.00
24	0.61	166.00





Electrosteel USA



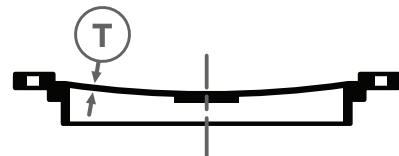
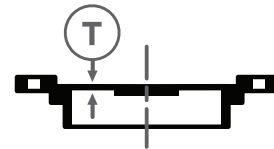
Compact MJ Fittings ANSI/AWWA C153/A21.53

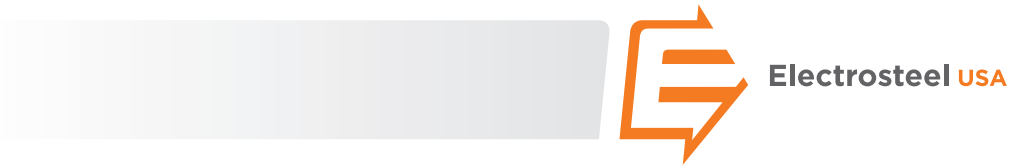
3" - 24" DUCTILE IRON MECHANICAL JOINT COMPACT FITTINGS

PLUG

MJ | PLUG

NOM SIZE	T	WT (LBS.)
3	0.33	7.90
4	0.34	12.10
6	0.36	21.10
8	0.38	30.30
10	0.40	41.90
12	0.42	52.30
14	0.47	75.00
16	0.50	95.00
18	0.54	121.00
20	0.57	135.00
24	0.61	175.00





270 Doug Baker Blvd

Suite 700-291

Birmingham, AL 35242

support@ElectrosteelUSA.com

205.637.3370 **P**

205.408.9983 **F**

